

# SYK-30L TM Dual-Sensor

3-Axis Gimbal Camera

V1.0 2023.03



**FOXTECH**

# Description

## Disclaimer

Thank you for purchasing this product. you can log in to the website for the latest product information, technical support and user manual. It is recommended that you download and use the latest version of the user manual. This manual is subject to change without notice.

You can also get product usage information or technical support through official customer service. Due to different production batches, the appearance or function parameters are slightly different and will not affect the normal use of the product.

Please read this statement carefully before using. Once used, it is deemed to be an endorsement and acceptance of the entire contents of this statement. Please read the instruction manual carefully and strictly follow the instructions in this manual to use this product. Foxtech will not be liable for any result or loss caused by improper use, installation, assembly or modification of users.

## Intellectual Property

The intellectual property rights of this product and manual are owned by Foxtech. Any organization or individual may not copy, reproduce or distribute in any form without written permission. If you need to quote, you need to indicate the source, and you should not make any modifications, deletions and references to this manual.

---

# Contents

<b>Product Profile</b>	1
Introduction	1
Specifications	1
<b>Quick-Mount Structure</b>	4
<b>Software</b>	5

# Product Profile

## Introduction

SYK-30L TM equipping a 30X optical sensor, an 1800 m rangefinder and a laser night vision module is a powerful gimbal camera for emergency monitoring & inspection, search & rescue, etc.

-30X optical zoom and 12X digital zoom with 1080P@30fps image resolution help SYK-30L TM catch clear and real images from far away. Professional 3-axis stabilization technology provides  $\pm 0.01^\circ$  stabilizing accuracy, helping produce clear and stable images even in wind conditions.

-With the Laser night vision module emitting an invisible light beam that can help “light up” the environment, SYK-30L TM can keep a clear photo even in environments with no light, suiting a variety of missions such as search and rescue, border patrol, etc.

-1800 m rangefinder measures the distance between the UAV and the target and also gives the longitude and latitude of the target.

-Object tracking function can track static or moving targets easily.

## Specifications

Specification	
<b>Optical Sensor</b>	
Sensor	1/2.8" CMOS
Total Pixels	2.07 MP
Video Resolution	1080P@30 fps
Image Resolution	1920*1080
Optical Zoom	30X f:4.3~129 mm
Digital Zoom	12X
FOV	Horizontal: 63.7°~2.3° Vertical: 40°~1.4° Diagonal: 52.1°~2.8°
Detect Distance	Human: 1947.1 m;Car: 2559.1 m
Recognize Distance	Human: 389.4 m;Car: 511.8 m
Verify Distance	Human: 194.7 m;Car: 255.9 m
Min Illumination	Color: 0.01 Lux/F 1.6 B&W: 0.0015 Lux/F 1.6
<b>Object Tracking</b>	
Update Rate	50 Hz
Output Latency	<15ms
Min Object Contrast	5%
Object Memory Tracking	Support (100f/4s)
Object Size	16*16~128*128 Pixel

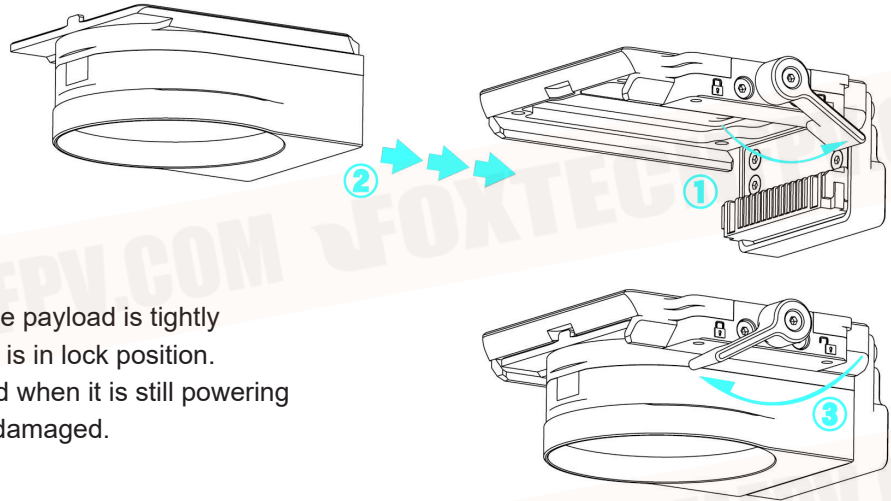
Rangefinder	
Band	905 nm
Distance	5~1800 m(Vertical reflector with 12m diameter, 20% reflection)
Measure Accuracy	$\pm 0.3$ m(<300 m)/ $\pm 1$ m(>300 m)
Launch Angle	2.5 mrad
Measure Method	Pulse
Power	<1 mW(Safe to eye)
Laser Night Vision	
Band	850 $\pm$ 10 nm
Effective Distance	$\leq 500$ m
Laser Angle	8°+30°
Protect Level	3FDA, IEC-3B
Video	
Single Ethernet Output	Support
Video Compression	H.264/H.265
Storage	TF Card(128 G Max)
Internet Protocol	RTSP,UDP

Gimbal	
Stability	±0.01°
Max Control Speed	Yaw: ±200°/s Pitch: ±200°/s
Control Range	Yaw: ±360°(Unlimited) Pitch: -120°~+60°
Working Temperature	-20°C~+60°C
Storage Temperature	-20°C~+60°C
Working Humidity	≤85%RH(Non-Condensing)
Protect Level	IP43
Weight	870 g(Camera)/85 g(Gimbal)
Power Consumption	19 W(Average)/57.6 W(Max)
Power	DC 21~53 V
Control Method	Ethernet/Serial Port/SBus
Video Resolution	Mode 1: 720P@30fps(Storage to TF Card)/1080P@30fps(Output) Mode 2: 1080P@30fps(Storage to TF Card)/720P@30fps(Output)

## Quick-Mount Structure

### Mount

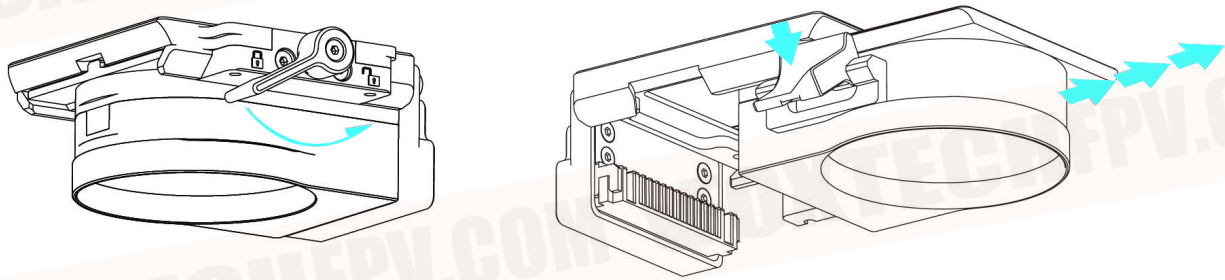
Flip the lock hook to the unlock position and push the payload into position along the rail until there is a slight Clicking sound, which indicates that it is securely in place, then flip the lock hook to lock the payload.



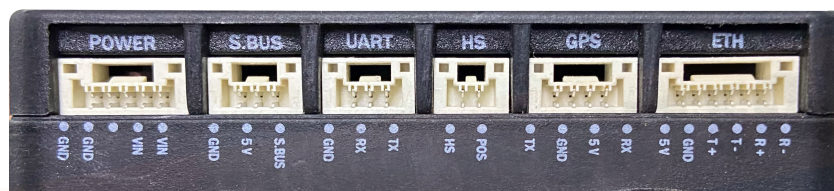
**!** Please make sure that the payload is tightly locked and the lock hook is in lock position. Donot detach the payload when it is still powering on, or the device will be damaged.

### Detach

Flip the lock hook to the unlock position, press down the lock on the other side and take down the payload.



### Interface



## Software

### Interface Introduce



- ① Pseudo color switch
- ② Laser night vision mode on/off
- ③ Laser rangefinder on/off (displayed on the menu bar above the display area)
- ④ Pic-in-pic display mode switch
- ⑤ Switch from Follow Mode to Free Mode

### Software Configuration

IP Address: rtsp://192.168.1.108

Subnet Mask: rtsp://192.168.1.108:554/stream1

This content is subject to change.

Download the latest version from

<https://www.foxtechfpv.com/syk-30l-tm-3-sensor-camera-with-3-axis-gimbal.html>

For everyday updates, please follow Foxtech facebook page"Foxtechhobby".